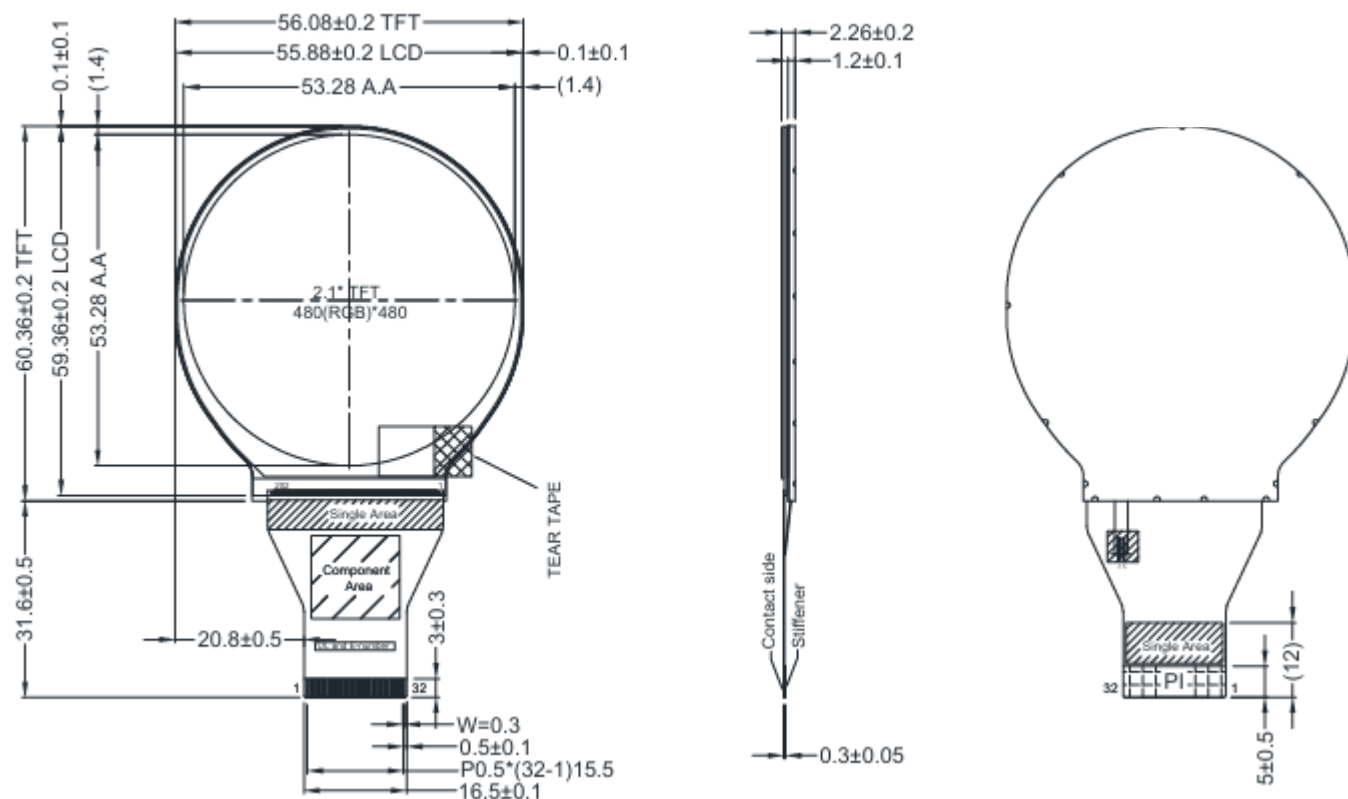


## 2.1inchTFT



size:2.1"TFT

ITEM		STANDARD VALUE	
Viewing direction		Full Viewing	
Display mode		Transmissive	
Operation temp		-20°C~+70°C	
Storage temp		-30°C~+80°C	
Interface		3wireSPI+18bitRG	
Backlight		White(3 LED)	
Brightness		280(TYP)cd/m2	
PIN	SYMBOL	PIN	SYMBOL
1	VDD	17	DB5
2	GND	18	DB4
3	RESET	19	DB3
4	GND	20	DB2
5	DB17	21	DB1
6	DB16	22	DB0
7	DB15	23	GND
8	DB14	24	SDA
9	DB13	25	SCL
10	DB12	26	CS
11	DB11	27	HSYNC
12	DB10	28	VSYNC
13	DB9	29	DOTCLK
14	DB8	30	DEN
15	DB7	31	LED_K
16	DB6	32	LED_A

メモ :