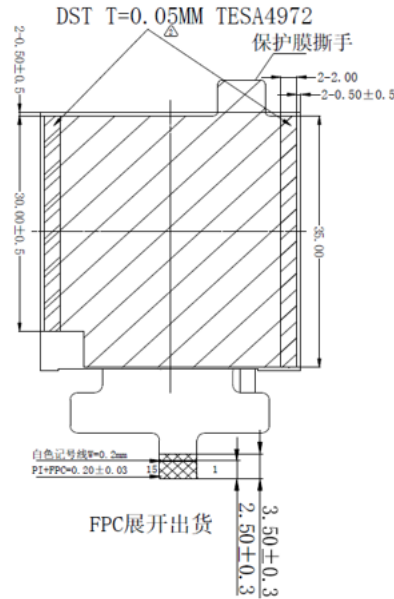
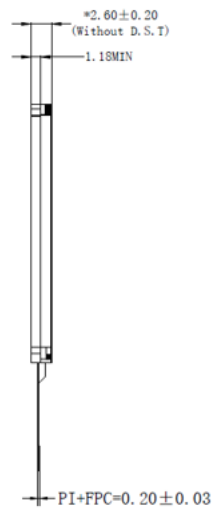
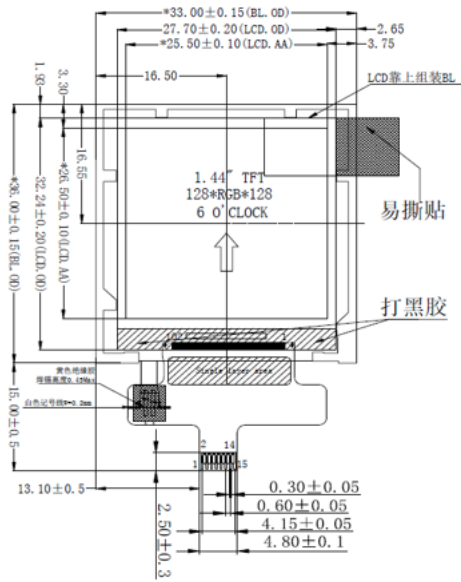


1.44"TFT



| ITEM | | STANDARD VALUE | |
|-------------------|--------|----------------|-----|
| Viewing direction | | TN 60'clock | |
| Display mode | | Transmissive | |
| Operation temp | | -20 To 70°C | |
| Storage temp | | -30 To 80°C | |
| Driver IC | | ST7735V3 | |
| Interface | | 4WireSPI | |
| Brightness | | 220cd/m2 (Typ) | |
| PIN | SYMBOL | | |
| 1 | K | 11 | GND |
| 2 | A | 12 | NC |
| 3 | GND | 13 | NC |
| 4 | VDDI0 | 14 | NC |
| 5 | VDD | 15 | NC |
| 6 | SDA | | |
| 7 | SCL | | |
| 8 | A0 | | |
| 9 | RES | | |
| 10 | CS | | |

メモ :