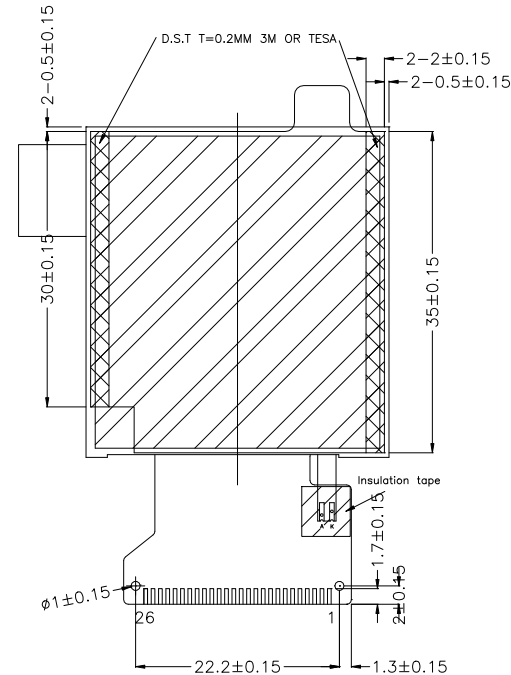
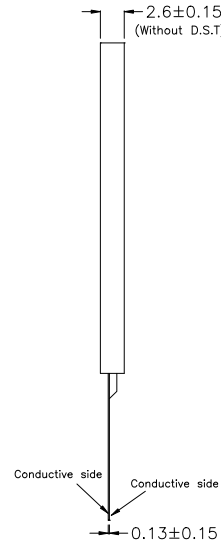
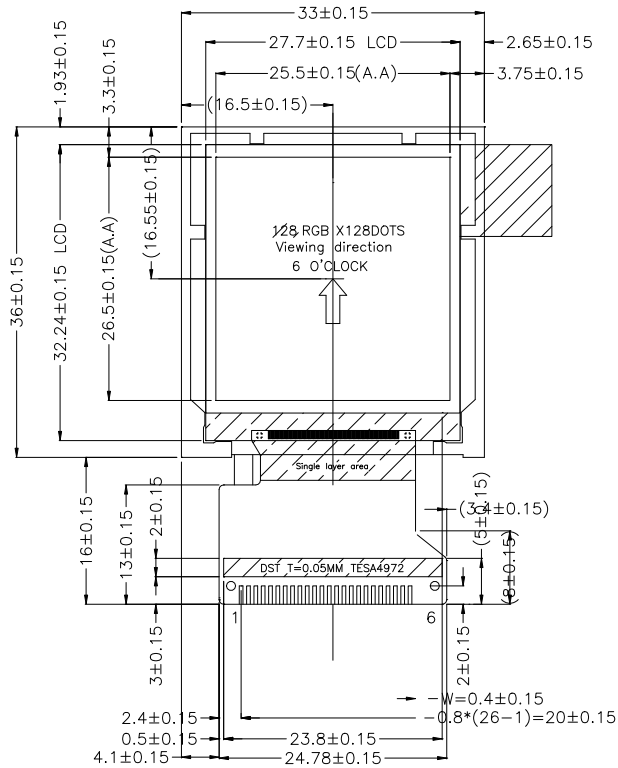


1.44" TFT-TN



ITEM		STANDARD VALUE	
Viewing direction		70/70/70/60	
Display mode		Transmissive	
Operation temp		-20 To 70°C	
Storage temp		-30 To 80°C	
Driver IC		ST7735S	
Interface		8BIT MCU	
Backlight		1 Chip LED	
Brightness		300cd/m2 (Typ)	
PIN	SYMBOL	PIN	SYMBOL
1	GND	14	D5
2	LED_K	15	D4
3	LED_A	16	D3
4	VDDIO	17	D2
5	VDD	18	D1
6	TE	19	D0
7	/DC	20	RESET
8	/CS	21	NC
9	/WR	22	NC
10	/RD	23	NC
11	GND	24	NC
12	D7	25	NC
13	D6	26	NC

メモ :