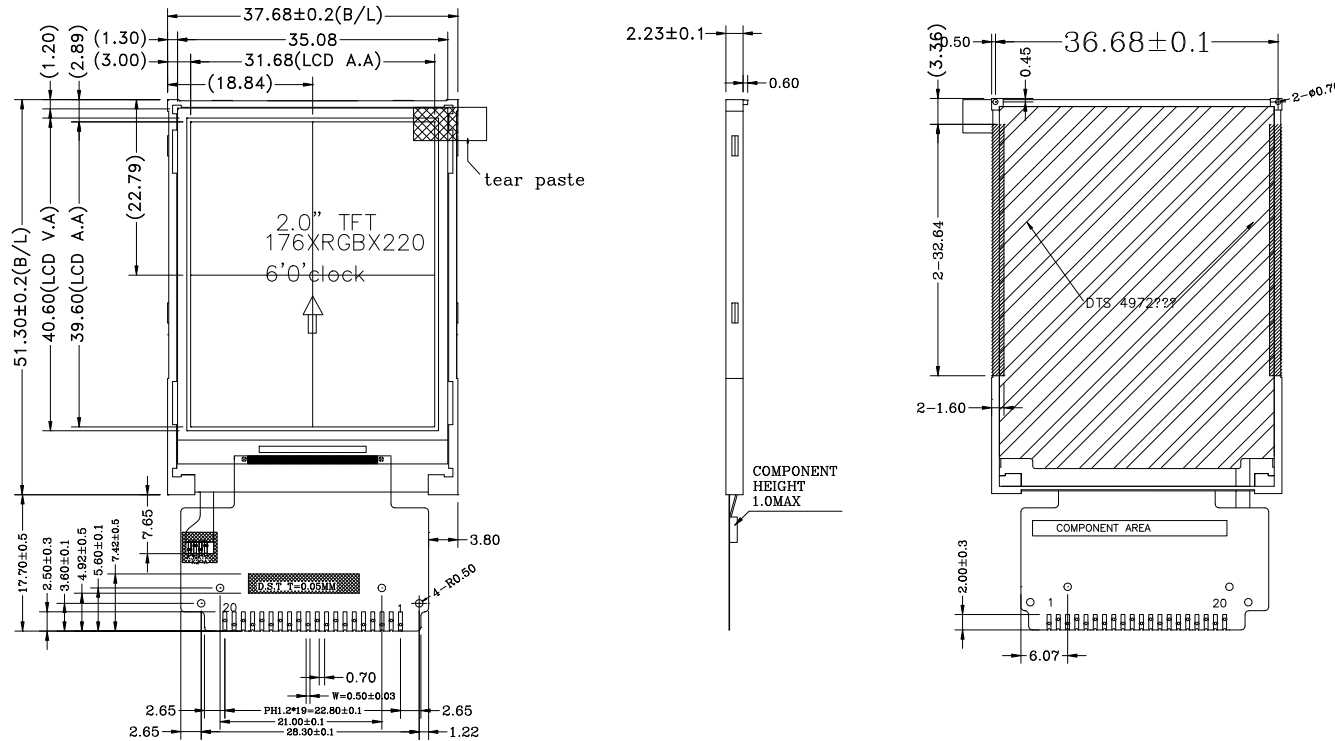


2.0" TFT-TN



| ITEM | | STANDARD VALUE | |
|-------------------|--------|----------------|--------|
| Viewing direction | | 70/70/70/60 | |
| Display mode | | Transmissive | |
| Operation temp | | -20 To 70°C | |
| Storage temp | | -30 To 80°C | |
| Driver IC | | ST7775R | |
| Interface | | 8BIT MCU | |
| Backlight | | 3 Chip LED | |
| Brightness | | 300cd/m2 (Typ) | |
| PIN | SYMBOL | PIN | SYMBOL |
| 1 | GND | 11 | DB05 |
| 2 | RESET | 12 | DB06 |
| 3 | RS | 13 | DB07 |
| 4 | WR | 14 | CS |
| 5 | RD | 15 | VCCIO |
| 6 | DB00 | 16 | IC_ID |
| 7 | DB01 | 17 | VDD |
| 8 | DB02 | 18 | VLED+ |
| 9 | DB03 | 19 | VLED- |
| 10 | DB04 | 20 | GND |

メモ :